

SY235C_{LC} Excavator



KEY FEATURES

- Engine: Cummins QSB 6.7, Tier 3
- Newly designed SANY cab has maximum space, wide visibility and easy access to controls with a full-color monitor that provides easy access to machine operation information
- Positive hydraulic control system provides excellent control and high productivity
- Standard features include two-way auxiliary hydraulics and a pattern-control change valve to increase productivity and versatility

SPECIFICATIONS

Gross Power

195 hp / 145 kW

Operating Weight

55,589 lb / 25 215 kg

Dig Depth

22' 2" / 6757 mm

Bucket Breakout

39,340 lbf / 175 kN

SANY America Inc.

318 Cooper Circle, Peachtree City, GA 30269

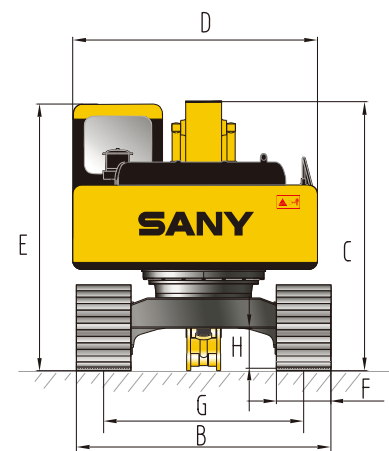
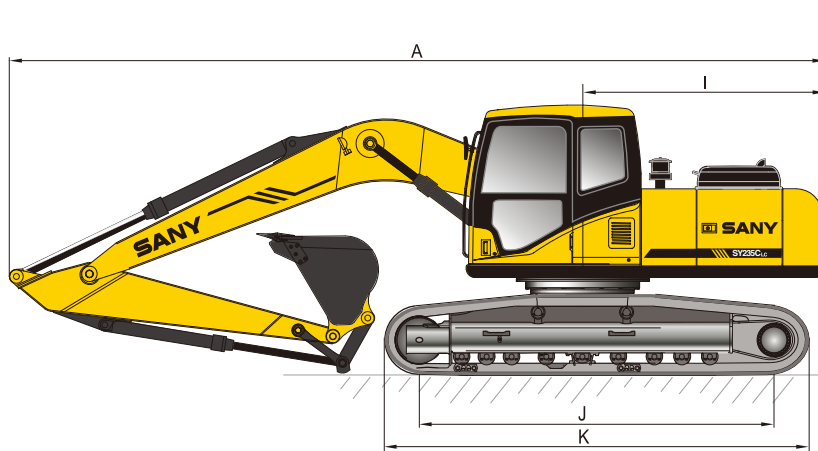
Tel: 678-251-2810 | Fax: 770-632-7820

www.sanyamerica.com



SANY AMERICA

SY235CLC Dimensions & Specifications

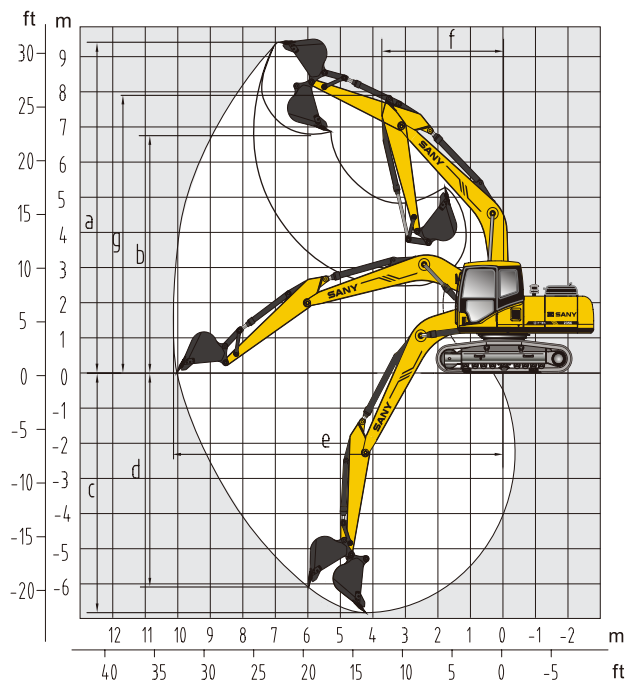


Overall Dimensions

	U.S. (ft - in)	Metric (mm)
A Transport Length	33' 2"	10 120
B Transport Width	11' 1"	3390
C Transport Height	11' 1"	3394
D Upper Width	8' 11"	2710
E Cab Height	10' 0"	3050
F Std Track Shoe Width	2' 7"	800
G Track Gauge	8' 6"	2590
H Minimum Ground Clearance	1' 7"	478
I Tail Swing Radius	9' 6"	2890
J Length Center Idler to Center Sprocket	12' 7"	3830
K Track Length (Overall)	15' 2"	4636
Boom Length	19' 4"	5900
Std Arm Length	9' 8"	2962

Machine Parameters

	U.S.	Metric
Operating Weight	55,589 lb	25 215 kg
Gross Power	195 hp	145 kW
Engine Max Torque	687 lbf @ 1400	931 Nm @ 1400
Main Pump Flow	2 x 67 gal	2 x 252 liter
Swing Speed	11 rpm	11 rpm
Travel Speed	2.0 / 3.4 mph	3.2 / 5.5 km/h
Max Arm Digging Force	27,426 lbf	122 kN
Max Bucket Digging Force	39,340 lbf	175 kN
Number of Upper Rollers	2	2
Number of Lower Rollers	9	9
Fuel Tank Capacity	90 gal	340 liter
Hydraulic Tank Capacity	61 gal	230 liter
Cooling System Capacity	6.7 gal	25.2 liter
Engine Oil Capacity	6.3 gal	24 liter
Ground Pressure (800 mm Shoes)	5.5 psi	37.6 kPa



Operating Range

	U.S. (ft - in)	Metric (mm)
a Max Digging Height	31' 2"	9520
b Max Dumping Height	22' 1"	6730
c Max Digging Depth	22' 2"	6757
d Max Vertical Wall Digging Depth	19' 3"	5860
e Max Digging Reach	33' 5"	10 166
f Min Swing Radius	12' 6"	3800
g Max Height at Minimum Swing Radius	26' 1"	7940